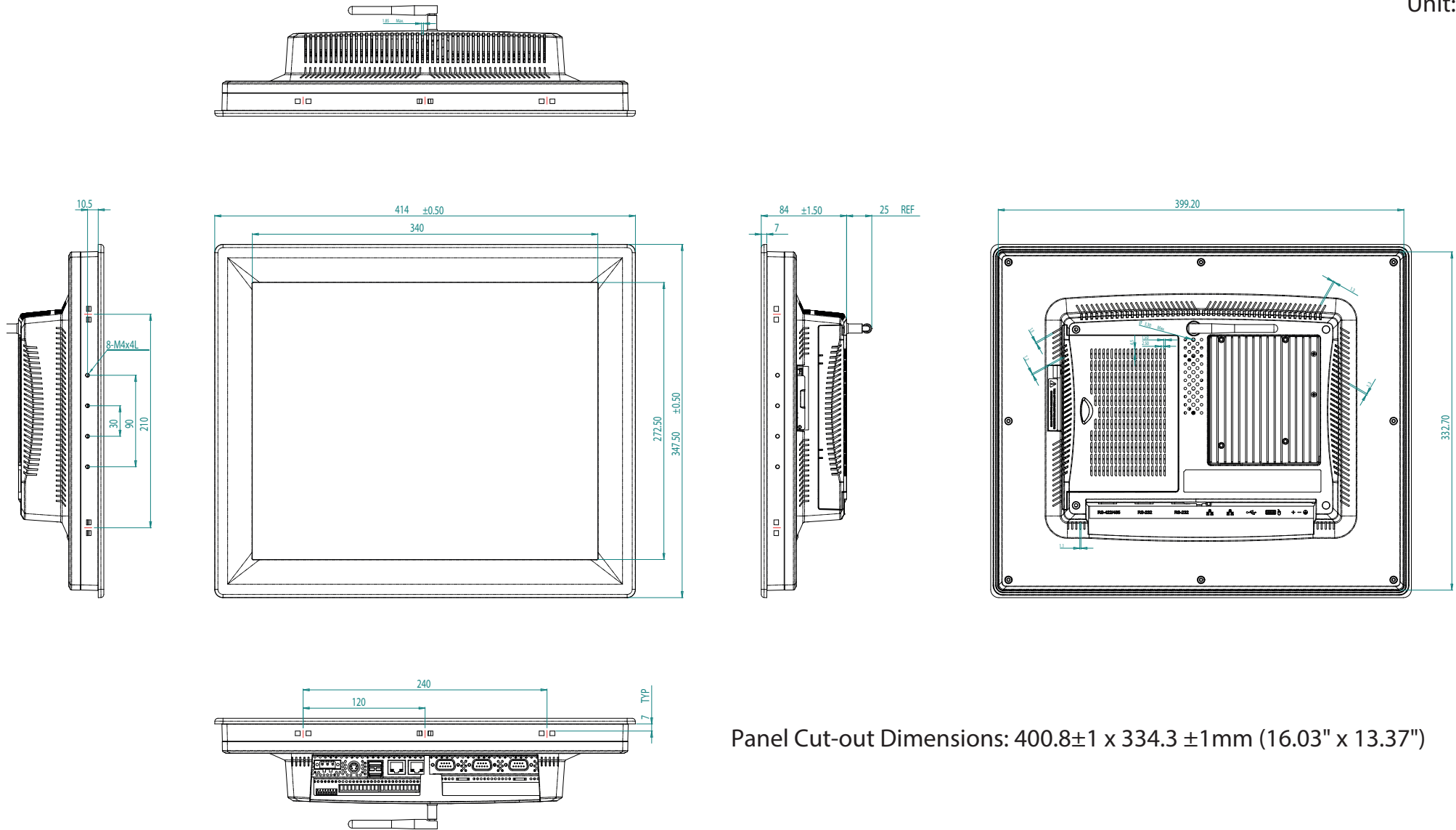


Unit: mm



Panel Cut-out Dimensions: 400.8±1 x 334.3 ±1mm (16.03" x 13.37")