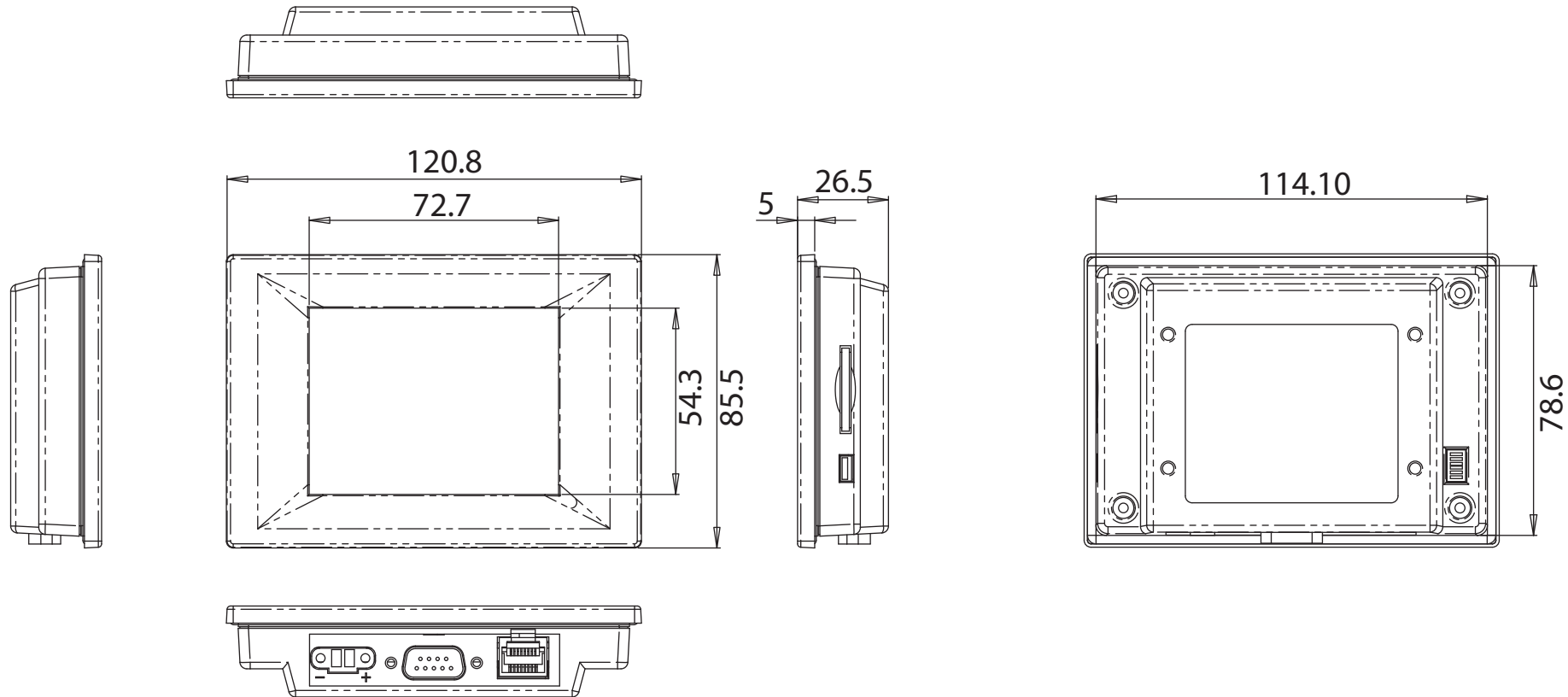


Unit: mm



Panel Cut-out Dimensions: TPC-31T: 115 x 79.5 mm