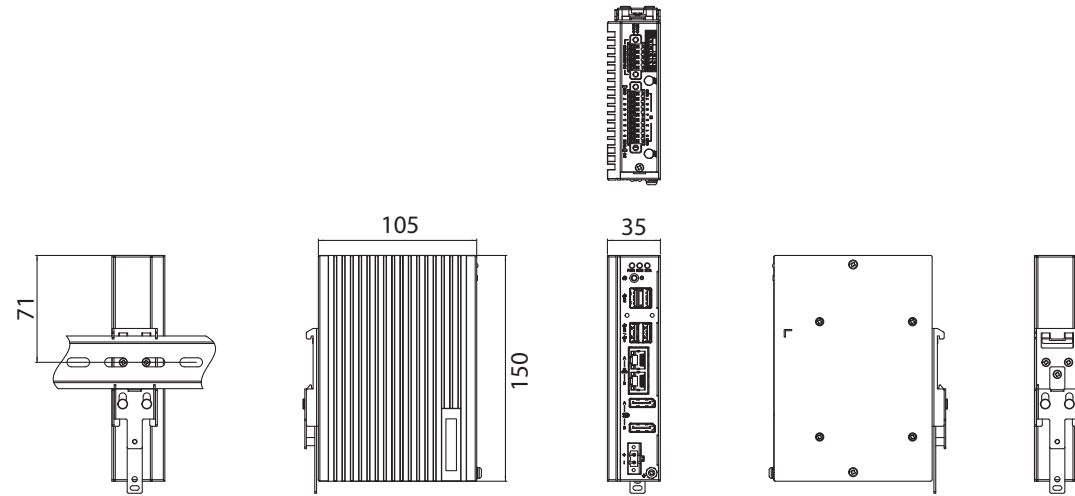


Unit: mm



(With optional extension kit)

